

Features

- Universal input 100-240VAC
- Approved to UKCA, CE, cULus, TUV, RCM (C-Tick), RoHS
- IEC/EN 62368-1 Safety Approved
- Meets Efficiency Level VI
- FCC Class B Certified
- Single Output 12V DC
- OVP, OCP, OTP & Short Circuit



Ideal Power's 25HK-AH-xAz-DH 60W AC/DC External Desktop Power Supply (PSU) Series are certified to UKCA, CE, cULus, TUV, RCM (C-Tick), RoHS & EN 62368-1/IEC 62368-1/UL 62368-1 Standards and comply with Efficiency Regulations. These are primarily used in ITE, Audio & Video Industries and customised solutions are available upon request.

Models

Model Number	Output Voltage	Output Current	Output Power	Efficiency %
25HK-AH-120A500-DH	12V DC	5A	60W	87

General Specifications

Type	Switching Mode Power Supply
Input Connector	2 Pin IEC (C8)
Output Connection	2.1x5.5x12.0mm
Number of Outputs	1
Operating Temperature	0~40°C
Energy Efficiency Level	VI
Mounting Style	Desktop
MTBF	100,000 hours calculated at 25°C
Cable Length	1.8M
Cable Type	20AWG
Medical Approved	No

Input Specifications

Rated Input Voltage	100~240Vac (±10%)
Rated Frequency	50~60Hz
Power Consumption	0.5W Max at No-load
Efficiency Level VI	Level VI / Efficiency (EU) 2019/1782
Input Current	1.6A
Inrush Current	60A Max. / 230Vac (Cold Start At 25°C, Full Load)

Output Specifications

Ripple & Noise (max.)	200mVp-p Max. for Output Voltage @ Full Load
Voltage Tolerance	±5%
Output Regulation	11.4-12.6V
Hold-up Time	10ms @ Full Load
Turn on Time	2S Max at 110 V AC @ Full Load
Number of Outputs	1
Insulation Class	I
Dielectric Strength	Primary to Secondary :AC 3000Vrms, 4 mA for 2 Seconds.
Insulation Resistance	50MΩ for 500Vdc
Short Circuit Protection	Auto-recovery.
Input Protection	The switching power supply has a 2 Amps inner current fuse to protect itself.
Output Protection	Removal of an output overload shall provide automatic recovery for the output voltage.

Mechanical Specifications

Housing Material	Fully Enclosed Plastic Case
Overall Dimensions	99mm x 52mm x 36mm
Overall Length	99mm
Overall Depth	36mm
Overall Width	52mm

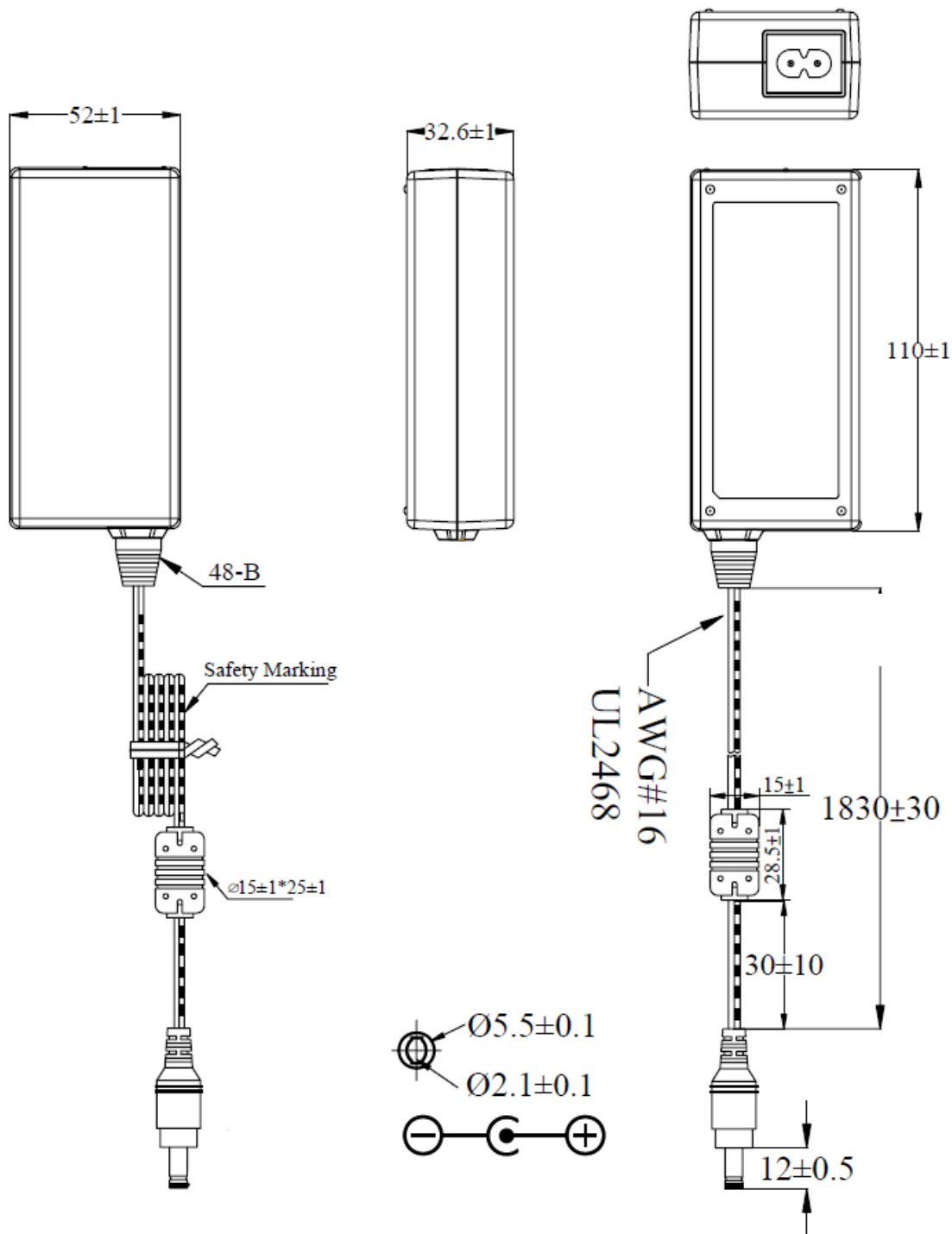
Environmental Considerations

Storage Temperature	-20°C ~ +80 °C
Relative Humidity:	5% ~ +80 °C
Operation Temperature	0°C ~ 40°C
Relative Humidity	5% ~ 95%

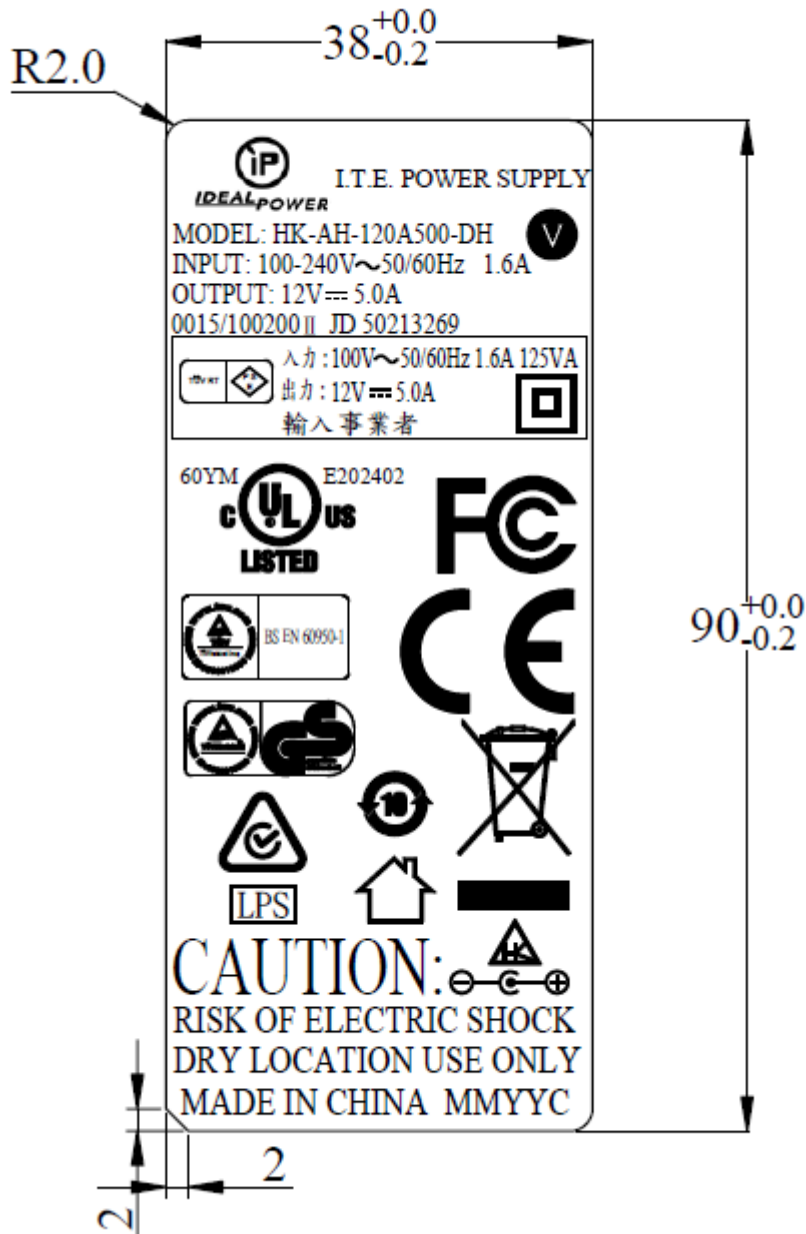
Safety Approvals

Compliance/Certifications	UKCA/ CE/ CB/ UL/ cUL/ TUV
Safety Standard	UL62368-1, EN 62368-1, IEC 62368-1, J60950-1 approved
EMC Emission	Compliance to EN 55032, EN 55024, EN 55014, FCC

Mechanical Drawing



Labels



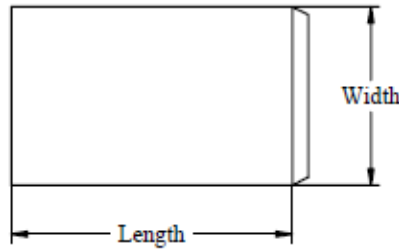
AC - DC

Packaging

PE BAG

Length :

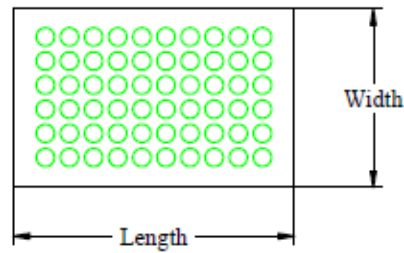
Width :



BUBBLE BAG

Length:

Width:

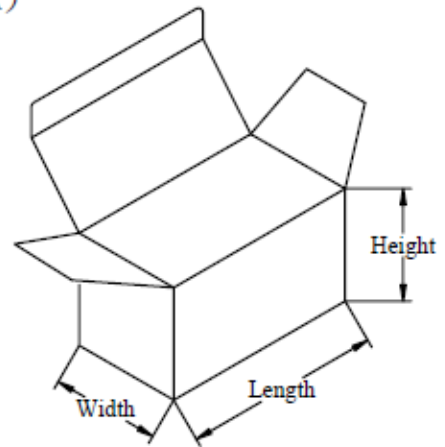


BOX(Normal BOX Corrugated BOX)

Length:128

Width:60

Height:55



Packaging

